



## Sleeper anchor SN

For the efficient improvement of lateral resistance strength on ballasted track for conventional rail and urban transport

# Sleeper anchor SN

Reliable spring-actuated connection with the sleeper.  
Subsequent installation.

## Advantages

The sleeper anchor SN, which has been tested by the "Prüfamt für Bau von Landverkehrswegen" at the Technical University of Munich, increases the lateral resistance strength of the track immediately upon installation. The ballast bed remains undamaged. The sleeper anchor provides security against track buckling in continuously welded tracks, even at critical points.

## Assembly

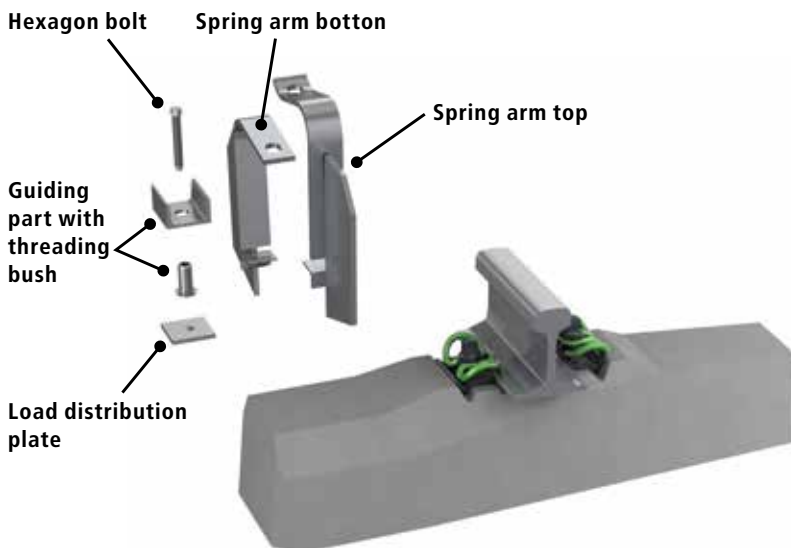
The sleeper anchor SN can be quickly and easily installed and dismantled at any position of the sleeper without removing the ballast. Installation and dismantling are possible within a short time. Preparatory or subsequent work on the ballast bed is not necessary.

## Features

Manufactured of spring steel, the sleeper anchor can reliably engage the sleeper in a spring-actuated connection. Thanks to the high-grade material, the anchors can be reused at any time and/or deployed even after lengthy storage.

## Installation also in the sleeper centre

The anchor can also be installed in the centre of the sleeper. The advantage: The ballast will not be disturbed in the area of the load transmission at the sleeper ends. The sleeper anchor can be easily loosened for tamping and alignment and retightened after completion of the work. Loosening and tightening can be carried out with a commercially available power wrench.



### Installation possibilities:

- In turnouts
- In curved track
- In case of an increase in the admissible speed in curved track
- In transitions from bridges to embankments (omission of the expansion joint)
- In mining-subsidence areas
- Preassembly of all components possible
- Suitable for all kind of sleepers (concrete, wooden, steel and plastic sleepers)

## Remark

Contents, figures and technical data in this brochure display the performance of the fastening system, however, they always depend on external conditions. Please contact us to enable us to develop a solution for you that will be customized to your requirements. The information presented corresponds to the technical state at the time of printing; in the meantime, continuous research and development programmes at Vossloh could have caused adaptations of the product.

 [www.vossloh.com](http://www.vossloh.com)

Vossloh Fastening Systems GmbH  
Vosslohstraße 4  
D-58791 Werdohl

Phone +49 (0) 23 92 52-0  
Fax +49 (0) 23 92 52-448  
E-Mail [info.corecomponents@vossloh.com](mailto:info.corecomponents@vossloh.com)

The trademarks Vossloh, **vossloh** and **cellentic** are registered trademarks of the Vossloh group, which are internationally protected in many countries. These trademarks may only be used with prior consent by Vossloh AG. This publication may also contain trademarks of third parties. The use of those trademarks is subject to the terms of use of the respective owner.