



## Cogilink Retrofit, lubricant-free operation system

 For reduced operating costs

## Cogilink Retrofit, lubricant-free operation system

In terms of track equipment, the new Vossloh Cogifer lubricant-free points system is the best performing solution for all track equipment maintenance and upkeep requirements.

This new optimised procedure developed by Vossloh Cogifer is based on the interaction between a new generation of self-lubricating rings, anti-corrosion shafts and a lubricant-free ball-joint. These components have all been exclusively patented. They conform to all safety standards and meet the strictest requirements in terms of robustness.



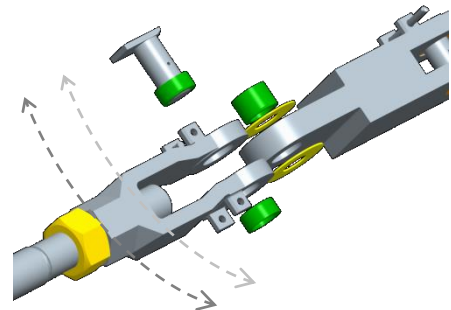
Designed to replace old worn parts needing lubrication and significant regular maintenance and adjustment



**Cogilink Retrofit**  
**EXCLUSIVE TO**  
**VOSSLOH COGIFER**

### Implementation principle

- ▶ existing rings are replaced with self-lubricating rings (same diameter and fit) in the entirety of the points system (brackets, return supports, adjustable fork) Lubricators are replaced with bolts if required
- ▶ the 24 mm diameter shaft ball-joint at the motor is replaced with a ball-joint which requires no lubrication
- ▶ existing 24 mm diameter shafts with lubricators are replaced with anti-corrosion shafts (thermally treated) allowing for easy assembly and disassembly
- ▶ 30 mm diameter shafts for return supports are replaced with anti-corrosion shafts



- ▶ Easy installation
- ▶ Simple and fast disassembly
- ▶ No special tools required
- ▶ Shafts guaranteed for life
- ▶ Lower equipment operating costs

*A new generation of self-lubricating ring has been created to provide optimal interchangeability in track equipment.*

A new revolutionary procedure designed to increase the life span of track equipment



▶ Significant gains  
Life Cycle Cost



▶ Quick and easy  
to fit, install and remove



▶ Resistant to extreme  
environmental conditions



▶ Suitable for extreme  
natural constraints